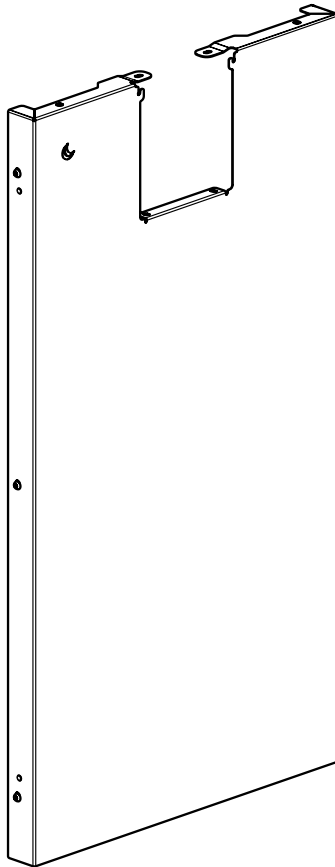


Installation Guide

SPOK50X

SpacePole Outdoor Kiosk - Floorstand Peripheral front plate





CAUTION

- Be sure to read & understand the entire installation guide, before starting the installation.
- This product must be installed by a professional installer.
- Do not to overtighten the fixings.
- Do not scratch the surface of the solution during installation, as it can lead to corrosion over time.
- This product is intended for outdoor use. Installation cannot take place in rough weather conditions (strong winds, heavy rain or snow).
- This solution is purely designed for outdoor certified hardware and accessories. Always follow the installation guide from the hardware manufacturer for correct installation.
- This solution is tested to an IP55 rating. This does not include environmental parameters like temperature and humidity. All technologies mounted in our enclosures are subject to hardware manufacturer's own operating standards, specifications and warranty conditions.
- Please don't power the hardware, until the entire solution is fully assembled.
- If these installation instructions are not followed precisely, it could lead to product failure and potential personal injury.
- Ergonomic Solutions / SpacePole Inc. cannot be held responsible for any failure or injury, if the installation instructions are not followed correctly.
- Ergonomic Solutions / SpacePole Inc. cannot be held responsible for any failure or injury, if any modifications have been made to the product by the customer.

MAINTENANCE

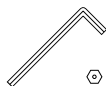
- Any scratches to the surface of the product should be repaired immediately to avoid any corrosion.
- Do not open the outdoor kiosk in bad weather (rain, storm, snow etc.).
- When the door is open, please keep the back of the screen clear from any water or dust
- It is the responsibility of the customer to periodically check the installation and ensure it is clean, all air ventilation holes are free and all fixings are tightened correctly.
- The drain holes in the solution need to remain open at all times. It is the responsibility of the customer to periodically check and clean these.
- Do not use pressure hoses or high-pressure water jets, garden hoses and sprinklers directly on the enclosure.
- It is recommended to always keep the hardware turned on



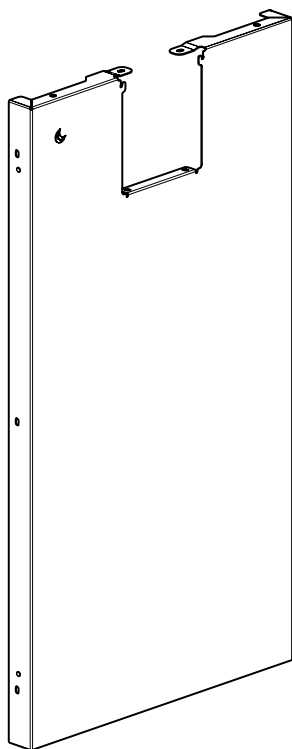
CLEANING GUIDE

- If the effect of the particular cleaning agent is not known, a preliminary check must be carried out. If the following instructions do not prove successful, the further course of action is to be coordinated with Ergonomic Solutions / SpacePole inc.
- Suitable products:
 1. Neutral aqueous cleaning agents and neutral synthetic detergents or wetting agents are suitable for removing loosely-adhering dirt from coated surfaces.
 2. Mildly acidic, aqueous cleaning agents may be used to remove soiling caused by building work (grout and lime spattering); e.g. table vinegar, diluted 1:1 with water; undiluted for stubborn stains.
 3. It is possible to remove very greasy films with organic solvents, e.g. ethanol, although these should only be allowed to work for a short time. Rubbing can cause the coating to become dull.
 4. Mildly alkaline, aqueous cleaning agents are suitable for cleaning purposes, provided that the corresponding directions for use are observed. The cleaning agents must furthermore conform to the requirements of the regulation governing substances harmful to the environment (substances regulation) of 9 June 1986, appendix 4.2.
- Important: The surfaces to be cleaned are to be cleaned as gently as possible and thoroughly rinsed off with water afterwards, since residue from salts, acids and alkalis can lead to corrosion.
- Never use abrasive cleaning agents!
- Unsuitable products
 1. Highly acidic, aqueous cleaning agents: When using acetic acid, oxalic acid, phosphoric acid, concentrations exceeding 0.5 per cent are not permitted. Other acids, such as hydrochloric acid, sulphuric acid, etc., are not suitable in any concentration.
 2. Highly alkaline, aqueous cleaning agents: All products of this type are prohibited from use as cleaning agents for coatings.
 3. Solvent-based cleaning agents such as ester, ketone (e.g. acetone), glycol ether, benzene, thinners (e.g. NC thinners), stain removers and chlorinated hydrocarbons are unsuitable.
- These recommendations correspond to the current general state of knowledge and do not infer any legal obligations. If in doubt, and in special cases, a preliminary test must always be carried out.

Tool list



Box content

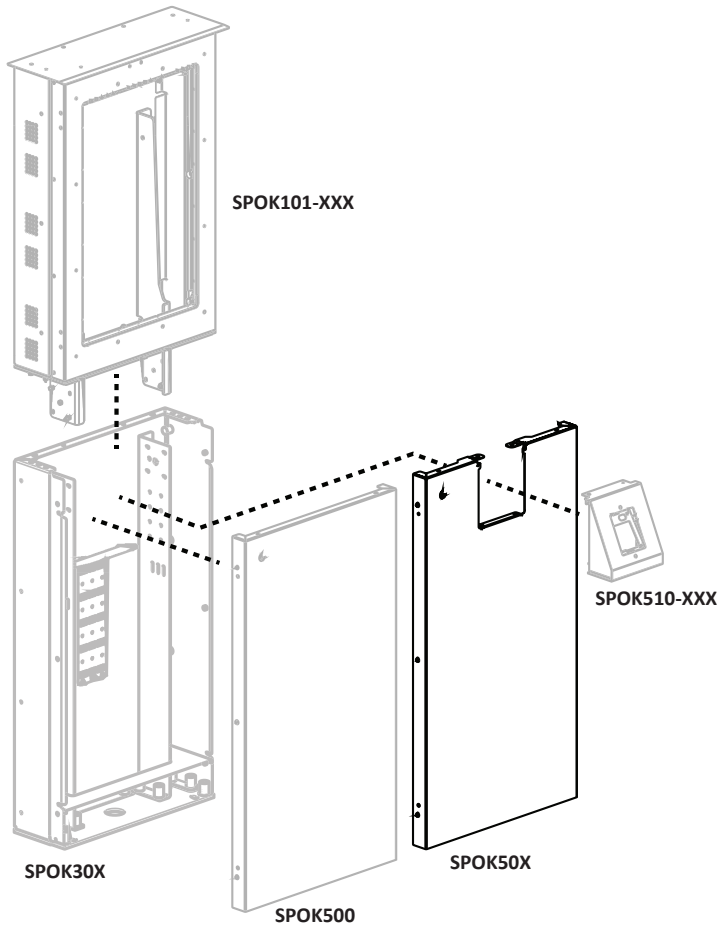


1x (A)



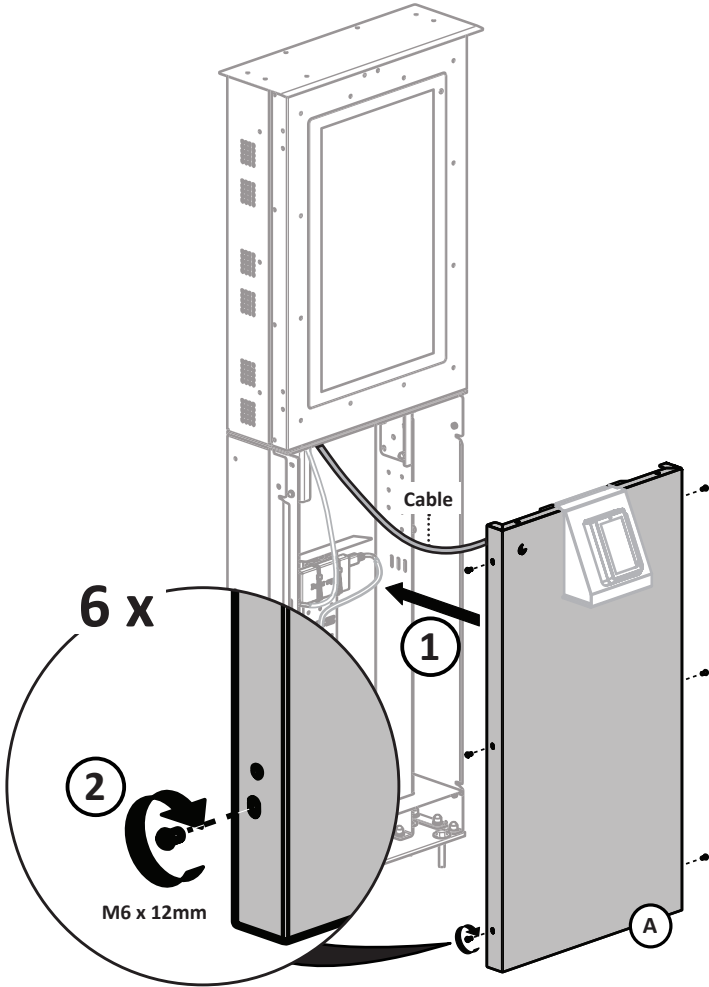
6x M6 x 12mm

SpacePole Outdoor Kiosk overview



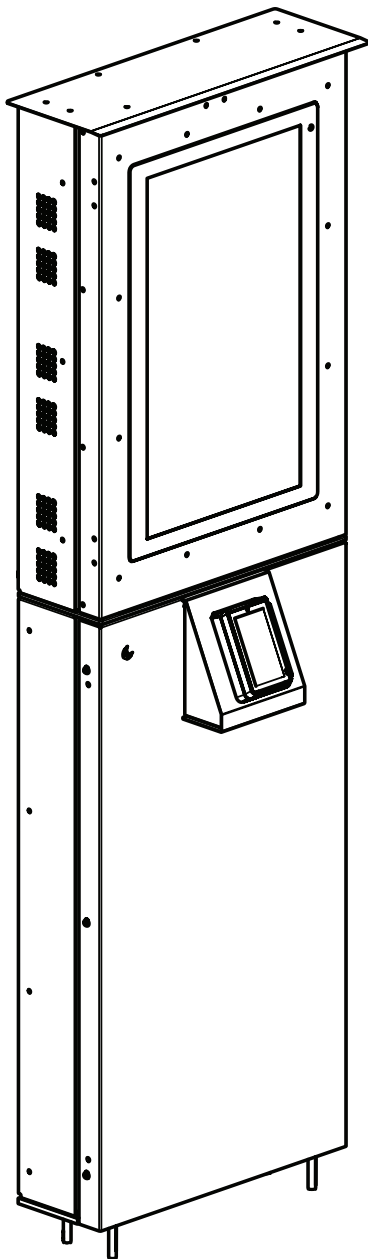
SpacePole Outdoor Kiosk - Floorstand overview. Parts & names might be different from above image.

1 Install the peripheral front plate & secure it



NB: Make sure SPOK101-XXX, SPOK30X & SPOK510-XXX are fully installed before installing SPOK50X

Installed SPOK50X



Need help? Contact us



ergonomic[®]
solutions
creators of SpacePole



spacepole[®]
an ergonomic
solutions company

ergonomic.solutions/about/contact-us

spacepole.com/about/contact-us